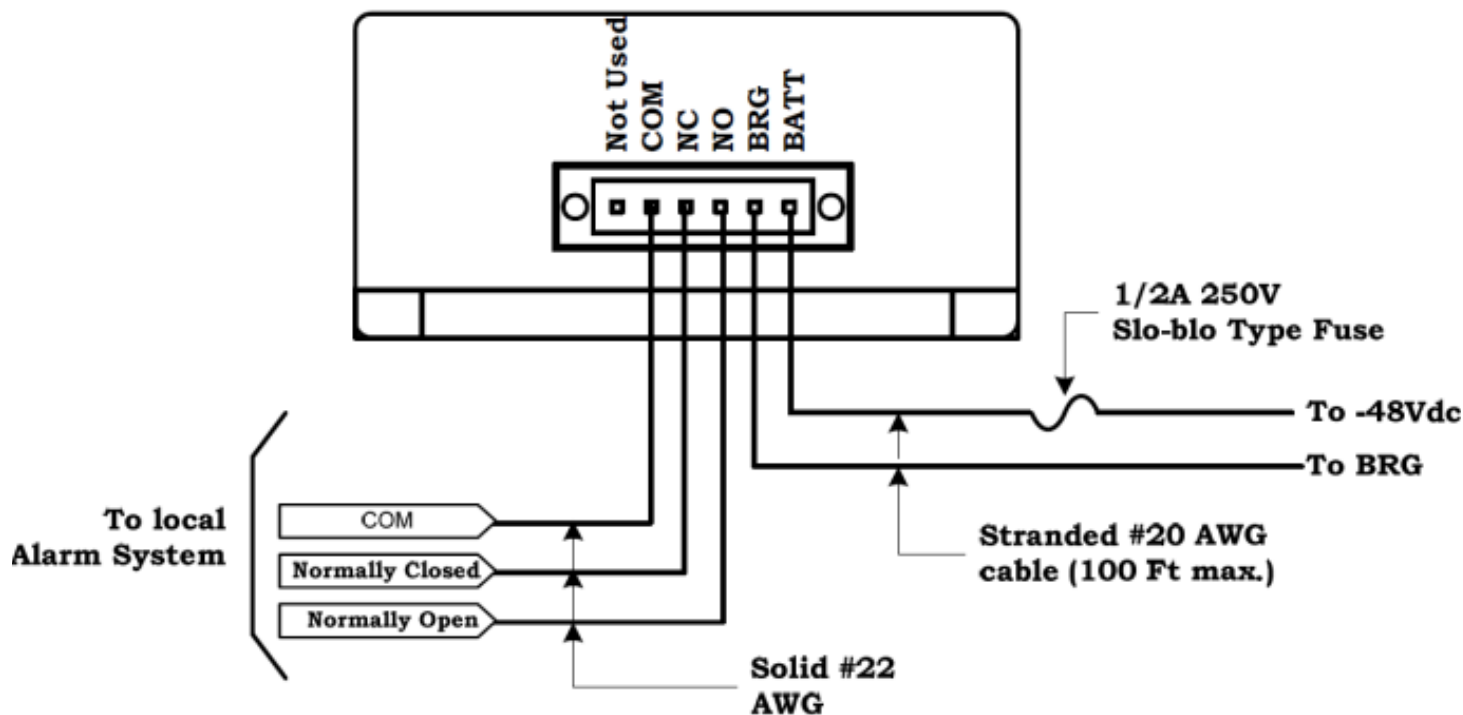




Battery On Discharge AUX – Left Side View



Step by step installation procedure provided below. There may be corporate practices written on how to install and wire to the local telemetry. Basic tools are required to install the BOD such as: Small flat screwdriver, cutters, pliers, BIX or punch down tools, etc.. (Tools are not provided by Multitel). A wiring harness from Multitel can be provisioned to simplify and expedite the installation process.

STEP 1 :

Unpack the BOD and make certain you have all the necessary material before starting the installation of the BOD.

STEP 2 :

Using the mounting screw or others, mount the BOD at the desired location; Not exceeding 100ft from battery voltage reference and close to reaching the alarm punch down block.

STEP 3 :

Wiring instructions: Use the wiring harness provided if suits well. (BOD Wiring Harness Kit Part No. = M-4371). Do not make wiring connection while the BOD screw type connector is in place. For wiring details, refer to diagram below.

STEP 4 :

Power connections:

- Through a 1/2Amp fuse, connect the “BATT” pin to the –48Vdc side.
- Connect the “BRG” pin to the “Battery Return Ground” side.



STEP 5 :

Alarm Connections:

- Connect the “COM” pin to a “ground” or closed loop signal coming from the RTU alarm system.
- Connect “NO” or “NC” pin to the RTU alarm system input channel.

STEP 6 :

With fuse in place, now plug-in the screw type connector in place. The “Power” led will turn green.

STEP 7 :

To test the BOD operation “Alarm simulation”, depress the limited access button labeled “Test” located on the front panel and watch for the “BOD” led to light up red and alarm relay contact to operate.

STEP 8 :

Confirm with the surveillance personnel that the NOC’s Fault Management System has received the “BOD alarm” and that the alarm has cleared.



You now have completed the installation of your BOD unit. If you have questions, need technical assistance on our products; please do not hesitate to contact us at the toll-free number below, or visit our website for more information on your product at

<http://www.multitel.com/bod/>

2500 Jean-Perrin ST Suite 175
Quebec QC G2C 1X1
Tel: 418 847.2255
Toll Free: 1.888.685.8483
info@multitel.com

[in](#) multitel-inc [t](#) @Multitel_inc [f](#) multitel.inc

Always know your at-risk sites and manage their weakest link today.

Contact us today:
multitel.com